

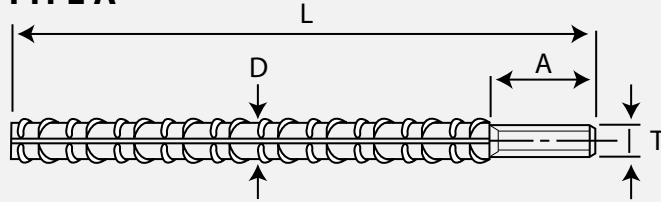
Rebar Anchor Bolts

Dimensions to Customer's Requirements



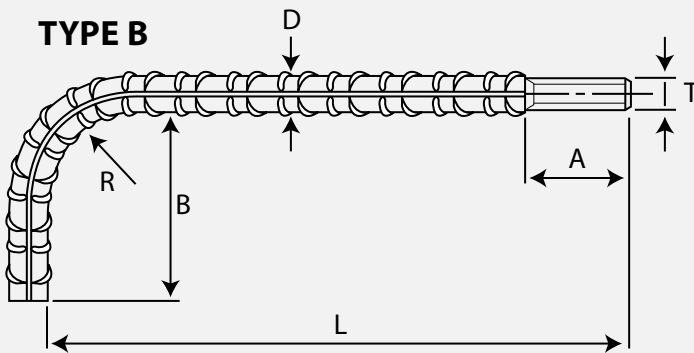
DINSTOCK

TYPE A



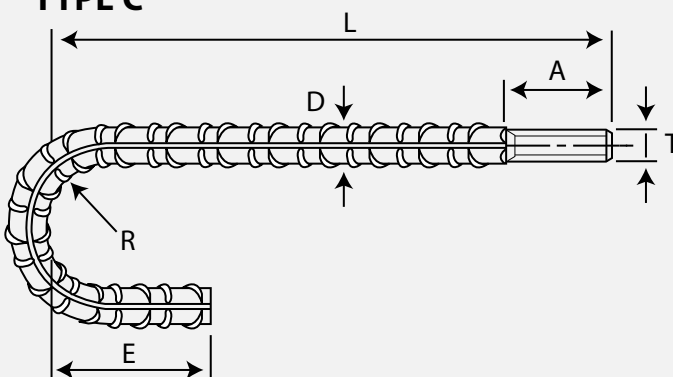
D	Rebar Diameter
T	Thread
A	Thread Length
L	Overall Length

TYPE B



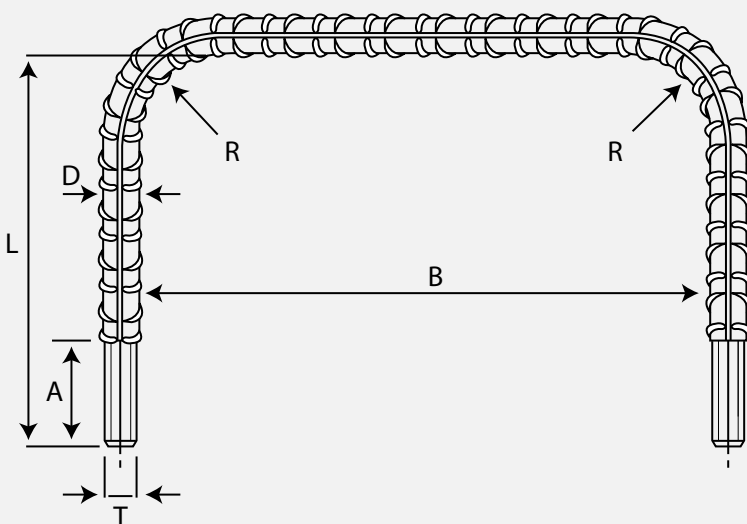
D	Rebar Diameter
T	Thread
A	Thread Length
L	Long Leg Length (internal)
B	Short Leg Length (internal)
R	Inside Radius

TYPE C



D	Rebar Diameter
T	Thread
A	Thread Length
L	Long Leg Length (internal)
E	Short Leg Length (internal)
R	Inside Radius

TYPE D



D	Rebar Diameter
T	Thread
A	Thread Length
L	Long Leg Length (internal)
B	Short Leg Length (internal)
R	Inside Radius